


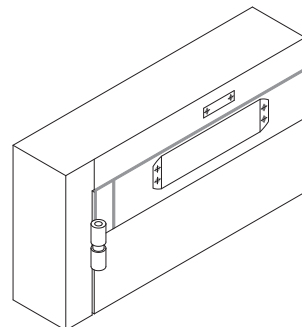
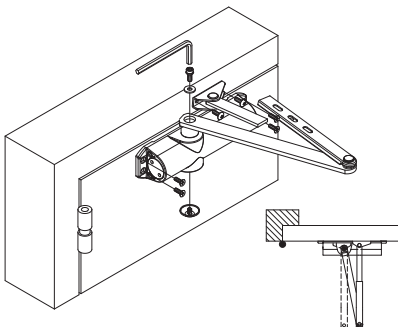
 www.synergyhardware.co.uk	EN1154:1997+ A1:2002				
	3	8	4 2	1	1
 APPROVED PRODUCT CF5294	 2812 CPR-AD5191		14		
	 1121-CPR UK-AD7826		21		

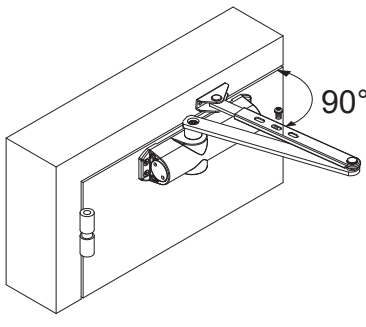
## Regular Fixing



**1** Using the templates provided, mark and drill pilot holes into the door and frame.

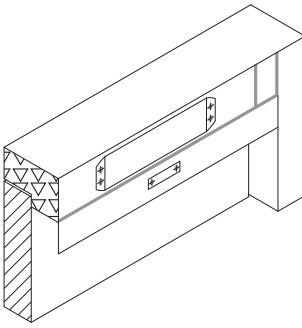


**2** Using the templates provided, fix the mechanism to the door as well as the armset and any necessary brackets.

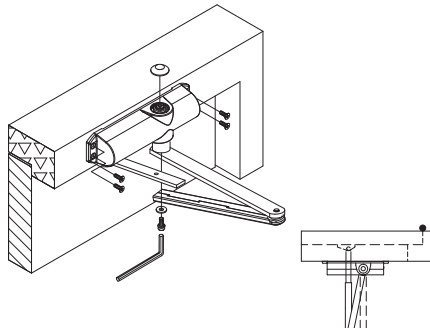


**3** Attach the armset to the mechanism ensuring the pre-loading requirement has been completed.

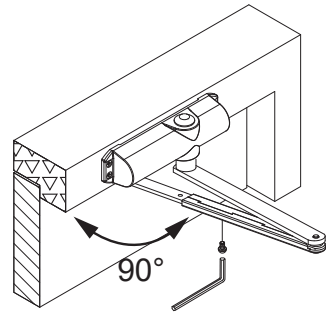
## Transom Fixing



**1** Using the templates provided, mark and drill pilot holes into the door and frame.

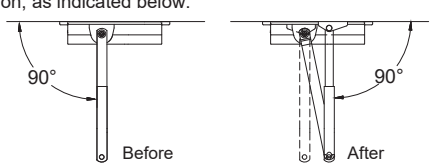






**2** Using the templates provided, fix the mechanism to the door as well as the armset and any necessary brackets.



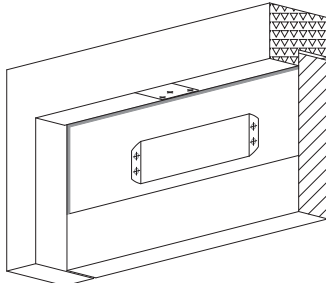
**3** Attach the armset to the mechanism ensuring the pre-loading requirement has been completed.

## Installation Instructions : Please refer to actual size template for exact fitting dimensions

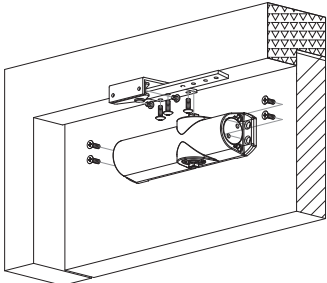
<p><b>Information</b></p> <p>This door closer is a size selectable model by means of a template. Please see these separate documents for the exact fixing position on the door.</p>	<p><b>Adjustment Details</b></p> <p>After installation check the operation of the door closer. Adjustment to the operation of the unit is made by altering the two valves at the side of the mechanism. PLEASE NOTE each valve is at its fastest speed with the adjustment of 1 full turn.</p>																
<p><b>Pre-Loading of Arm</b></p> <p>For the unit to provide the optimum performance and overcome any resistance upon closing it is recommended that the armset is "pre-loaded" To pre-load, reposition the fixing angle of the arm onto the mechanism so that the end of the closing cycle would be past the stop position, as indicated below.</p> <div style="text-align: center;">  </div>	<p><b>ATTENTION:</b> Speed adjustment valves are in closed position when they leave the factory. Make any adjustments in the directions shown in the diagram overleaf. Do not adjust the valves for more than 3 turns. Over adjustment will damage the mechanism and/or the performance of the door closer and invalidate its guarantee.</p>																
<p><b>Fixing in Fig.1 / Fig.61</b></p> <table border="1" style="margin: auto; border-collapse: collapse;"> <thead> <tr> <th>Power size</th> <th>Max. Door width</th> <th>Max. Door weight</th> <th>Max. Door opening</th> </tr> </thead> <tbody> <tr> <td>2</td> <td>850mm</td> <td>40Kg</td> <td>180°</td> </tr> <tr> <td>3</td> <td>950mm</td> <td>60Kg</td> <td>180°</td> </tr> <tr> <td>4</td> <td>1100mm</td> <td>80Kg</td> <td>105°</td> </tr> </tbody> </table>		Power size	Max. Door width	Max. Door weight	Max. Door opening	2	850mm	40Kg	180°	3	950mm	60Kg	180°	4	1100mm	80Kg	105°
Power size	Max. Door width	Max. Door weight	Max. Door opening														
2	850mm	40Kg	180°														
3	950mm	60Kg	180°														
4	1100mm	80Kg	105°														

 www.synergyhardware.co.uk	EN1154:1997+ A1:2002					
	3	8	4 2	1	1	3
 APPROVED PRODUCT CF5294	 2812 CPR-AD5191		14			
	 1121-CPR UK-AD7826		21			

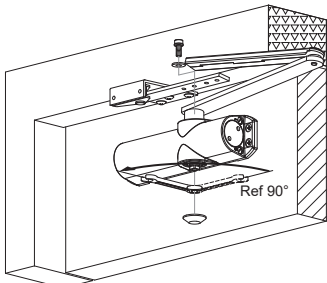
## Parallel Fixing



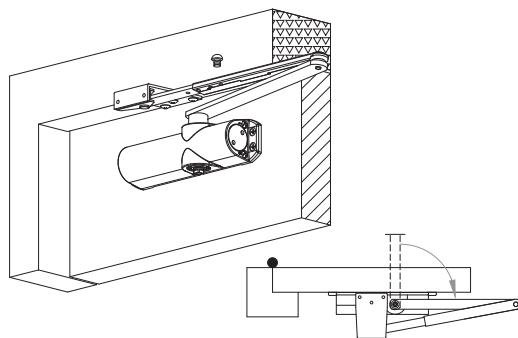
**1** Using the templates provided, mark and drill pilot holes into the door and frame.



**2** Using the templates provided, fix the mechanism to the door as well as the armset and the parallel arm bracket.

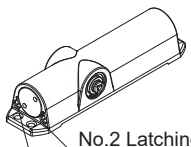


**3** Rotate the bottom pinion at approximately 90° with a wrench as illustrated and then assemble the main arm.



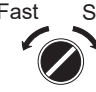
**4** Make sure the main arm is parallel to the door. Then attach the connecting arm.

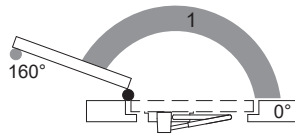
### Closer Adjustments



No.2 Latching

Fast    Slow





No.1 Closing


After ensuring all fixings are tightened, operate the door closer to check its performance, making adjustments as necessary.

**Fixing in Fig.66**

Power size	Max. Door width	Max. Door weight	Max. Door opening
3	950mm	60Kg	160°


## Installation and Maintenance Instructions:

### Warning




- Please note the minimum power size requirement for fire / smoke door assemblies is 3 as required by Approved Document B.
- Do not install mechanical hold open devices on fire / smoke door assemblies.
- Take care not to exceed the maximum opening angle as detailed above.
- Care and attention must be taken when adjusting any of the units control valves to avoid damage through over adjustment.
- All Synergy Door Closer units are sealed for life and the internal components assembled under high load, therefore, tampering with the mechanism is to be strictly avoided.

### After Installation



- When the closer operates to close the door from its maximum opening position, it should ensure the lock latchbolt and any seals are overcome and the leaf returned into its frame.
- When the door is slightly open and the latch bolt resting against the strike, release the door to ensure the leaf fully closes into its frame.

### Maintenance



- Once the unit has been correctly fitted it is recommended that periodic checks (every six months) are carried out to ensure all fixings are tight and the door closes freely and positively into the frame, without slamming.
- A light oil lubricant (non-graphite) should be applied to the moving joints and exposed pivot points.